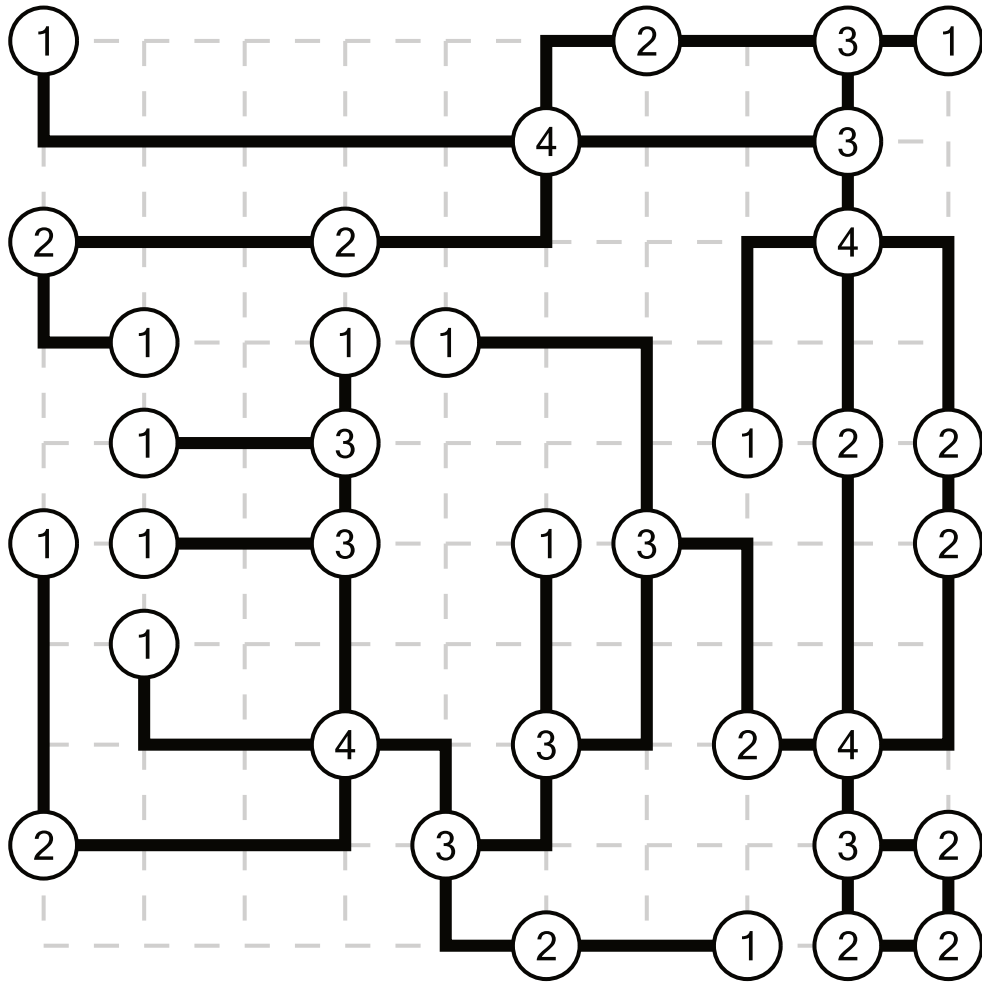


# ICHIMAGA



ICHI-5-010S; © SortedPuzzles