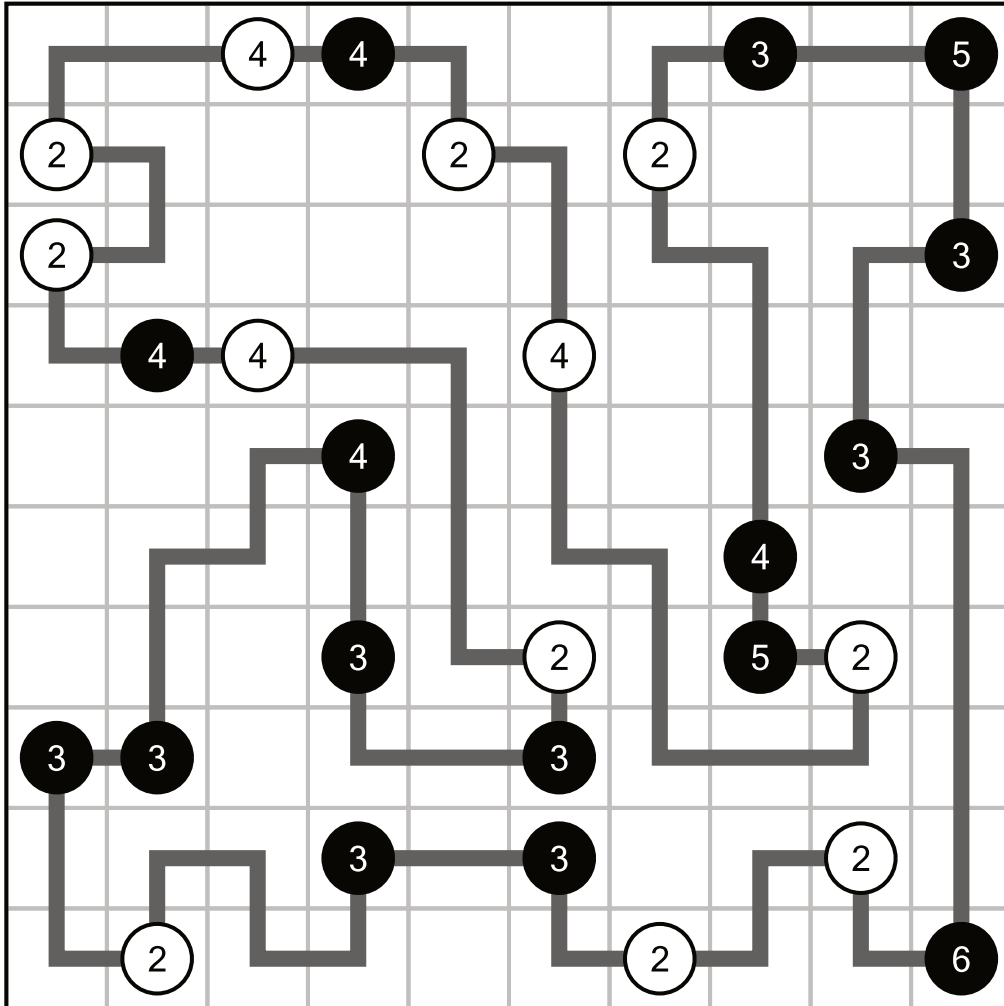


BALANCE LOOP



BALO-3-008S; © SortedPuzzles