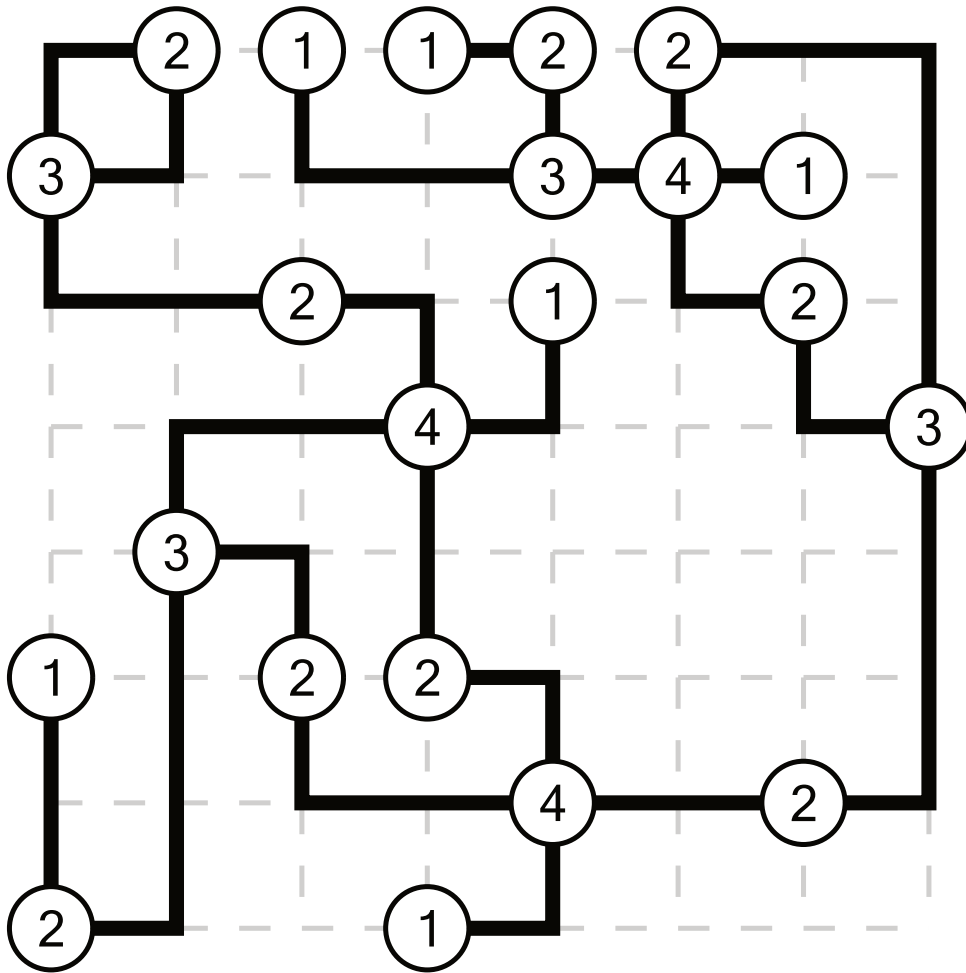


# MAGNETIC ICHIMAGA



MAGI-3-008S; © SortedPuzzles