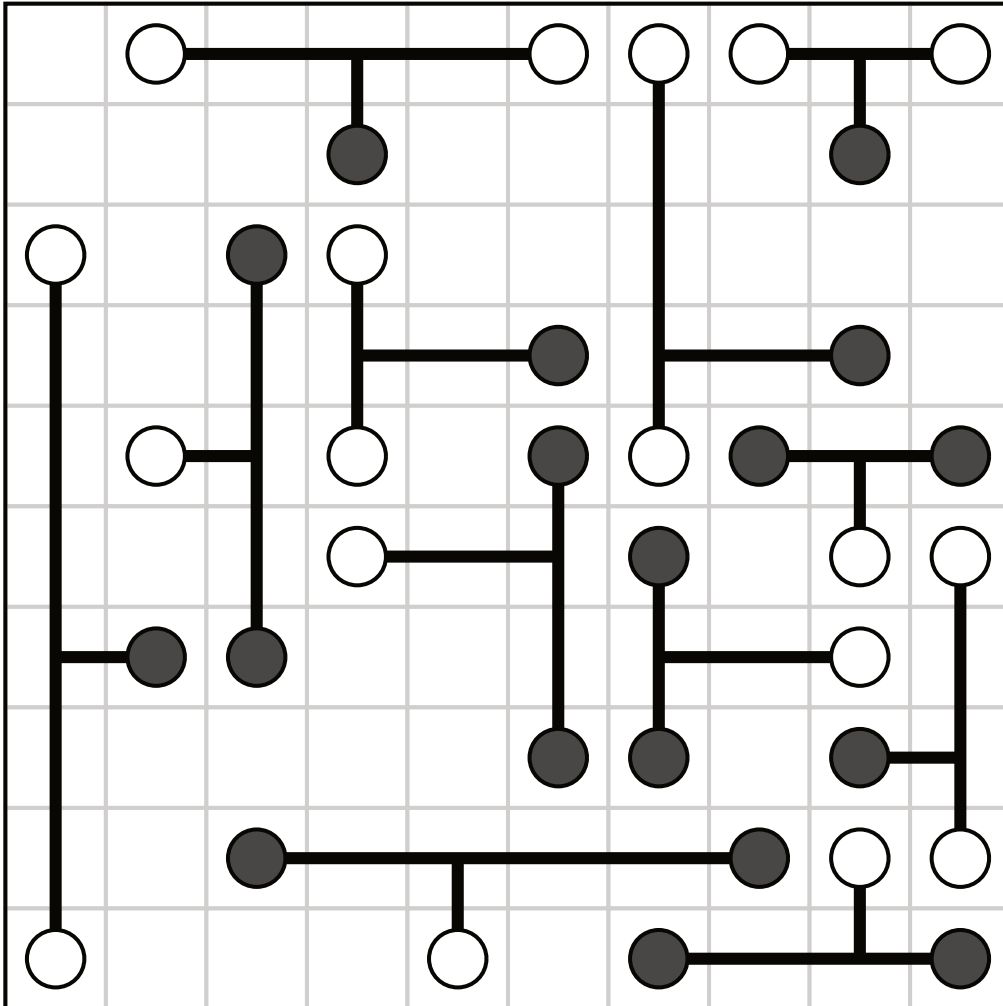


MILK-TEASE



MTES-4-004S; © SortedPuzzles