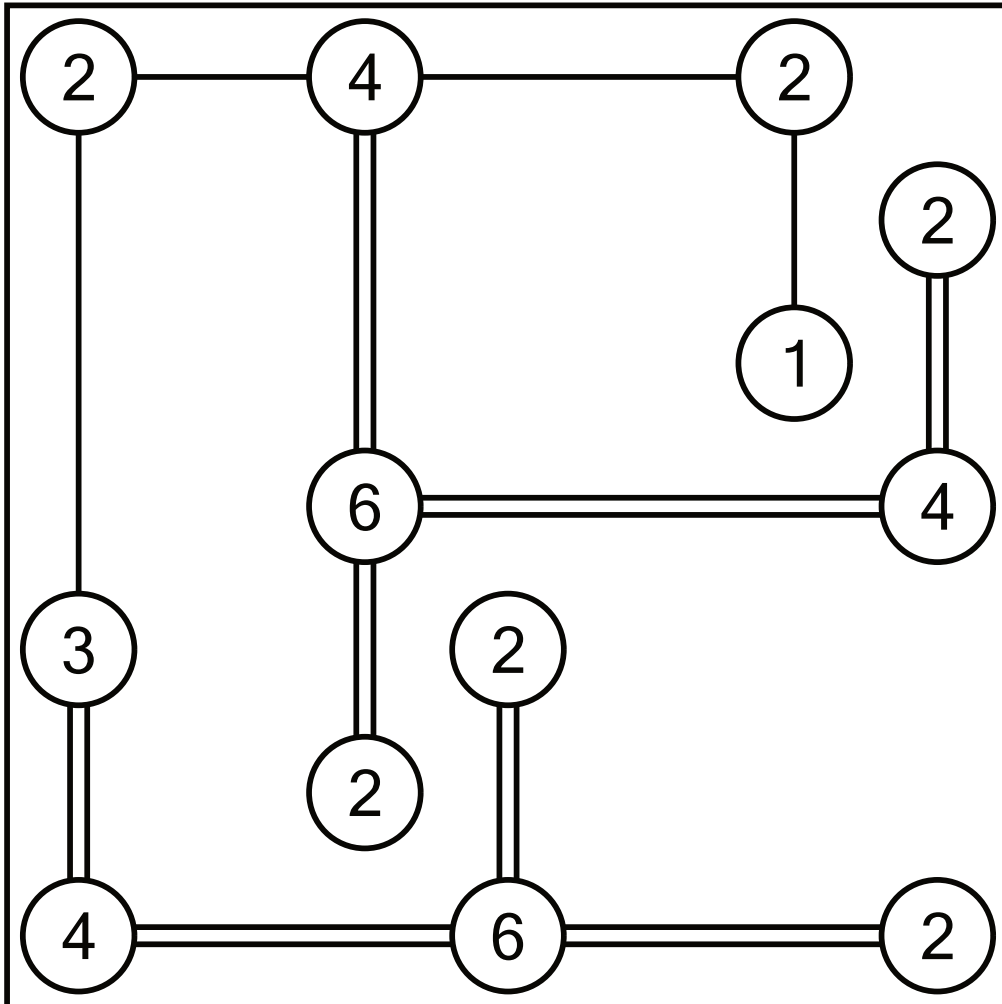


HASHIWOKAKERO



HASH-2-002S; © SortedPuzzles